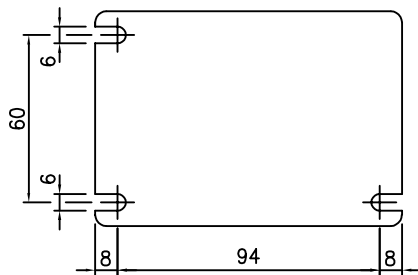


DIMENSIONS						(UNIT:mm)
PUMP MODEL	A	B	C	D	E	WEIGHT(kg)
AX1-52-P□□	198	54.5	193	219	φ12Xφ18	3.3
AX1-52-F□□	198	54.5	193	219	φ10Xφ12	3.4
AX1-13-P□□	204	54	192	222	φ12Xφ18	3.6
AX1-13-F□□	204	54	192	222	φ10Xφ12	3.7

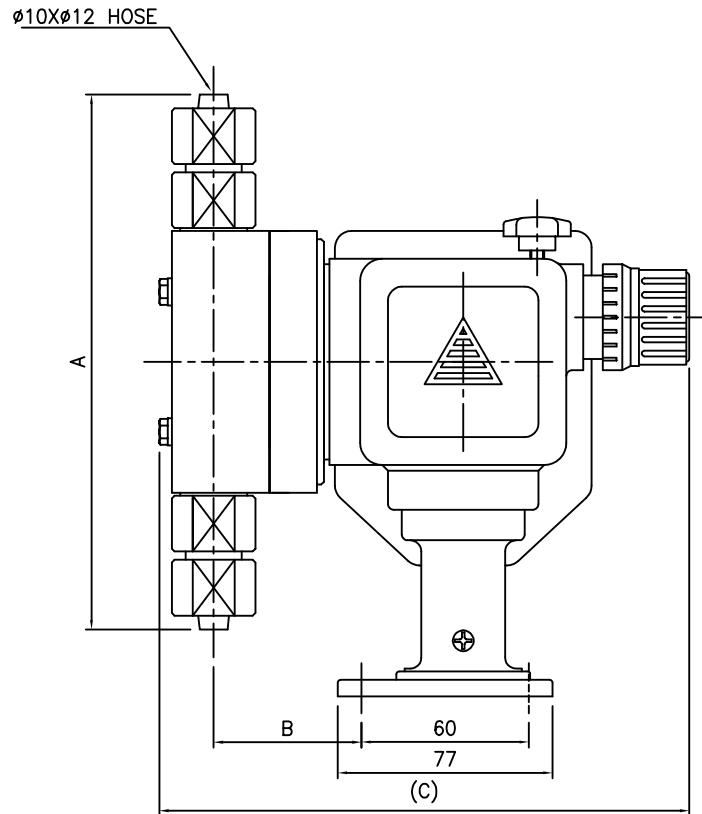
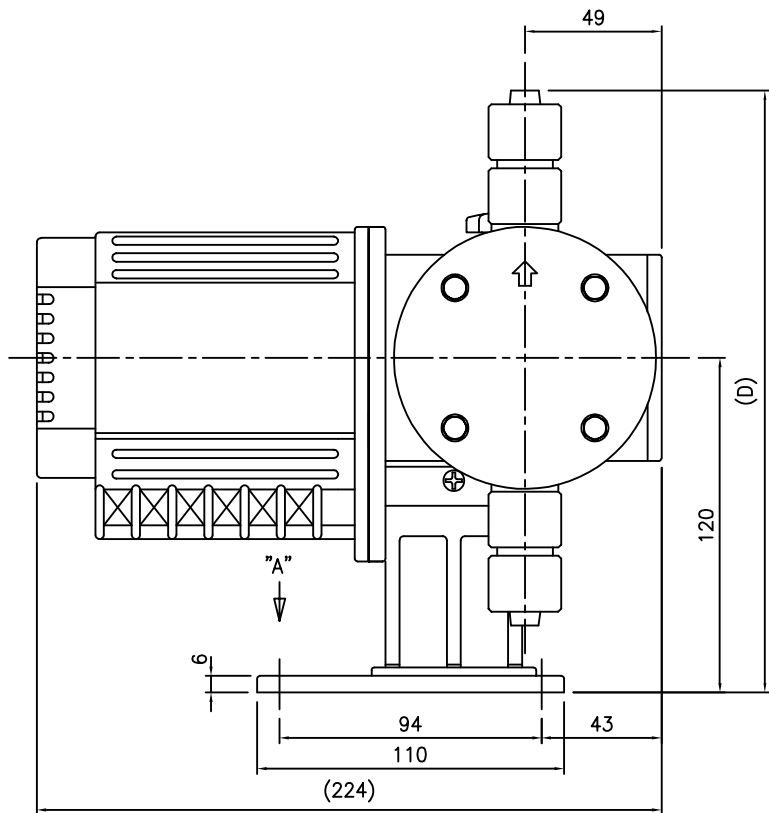


VIEW "A"

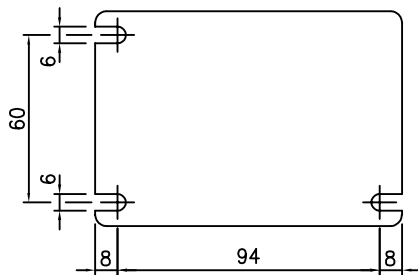
PUMP SPECIFICATIONS (50Hz/60Hz)		
PUMP MODEL	AX1-52	AX1-13
MAXIMUM CAPACITY (ml/min)	460 / 550	1040 / 1250
MAX.DIS.PRESSURE (kgf/cm ² G)	3	3
STROKE PER MINUTE (SPM)	114 / 136	114 / 136
MOTOR TYPE	Shaded Pole Fan Cooling	
POWER (W)	14	20

ITEM NO	NO.	DESCRIPTION	SIZE	MAT'L	Q'TY	REMARK
	MAT'L	MAT'L DIM	WEIGHT	SCALE	N/S(0.5)	
	FILE NAME	A1KPH-02	제명 TITLE	OUTLINE DRAWING		
	APPROVED		AX1-52,13-K PUMP (HOSE TYPE)			
	CHECKED					
	DESIGNED			제명 DWG NO 141202		
	DRAWN					
STORAGE NO.						
ORG.DWG						

천세산업 주식회사
CHEON SEI IND. CO.,LTD.



PUMP MODEL	DIMENSIONS				WEIGHT(kg)
	A	B	C	D	
AX1-52-S□□	192	53	190	216	5.1
AX1-52-6□□					
AX1-13-S□□	198	54	191	219	5.6
AX1-13-6□□					



VIEW "A"

PUMP SPECIFICATIONS (50Hz/60Hz)		
PUMP MODEL	AX1-52	AX1-13
MAXIMUM CAPACITY (ml/min)	460 / 550	1040 / 1250
MAX.DIS.PRESSURE (kgf/cm ² G)	3	3
STROKE PER MINUTE (SPM)	114 / 136	114 / 136
MOTOR TYPE	Shaded Pole Fan Cooling	
POWER (W)	14	20

ITEM NO	NO.	DESCRIPTION	SIZE	MAT'L	Q'TY	REMARK
		MAT'L	MAT'L DIM	WEIGHT	SCALE N/S(0.5)	
	FILE NAME	A1KSH-02	?? TITLE	OUTLINE DRAWING		
	APPROVED		AX1-52,13-K PUMP (HOSE TYPE)			
	CHECKED					
	DESIGNED		?? DWG NO	141252		
	DRAWN					
STORAGE NO.						
ORG.DWG						

천세산업 주식회사
CHEON SEI IND. CO.,LTD.